



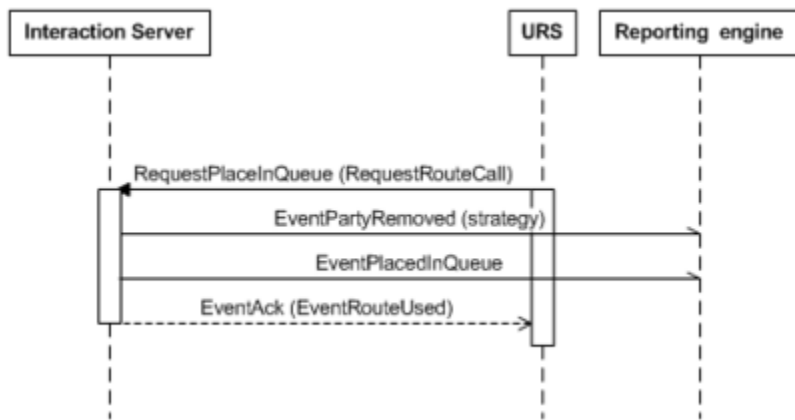
This PDF is generated from authoritative online content, and is provided for convenience only. This PDF cannot be used for legal purposes. For authoritative understanding of what is and is not supported, always use the online content. To copy code samples, always use the online content.

Genesys Events and Models Reference

[Place Interaction in Queue](#)

Place Interaction in Queue

In this model, shown in the following figure, URS requests Interaction Server to place an interaction in a queue.



Place Interaction in Queue

Important

The agent application can also make the request to place an interaction in a queue. In that case the model would look the same, except that Interaction Server would simply send EventAck rather than EventRouteUsed.

This model uses the messages listed in the following table:

Messages in Place Interaction in Queue

Message	Protocol
EventPartyRemoved	Reporting
EventPlacedInQueue	Reporting
EventRouteUsed, used here in place of EventAck	T-Library

This model uses the following substitutions:

- T-Library EventRouteUsed stands in for Interaction Management EventAck
- T-Library RequestRouteCall stands in for Interaction Management RequestPlaceInQueue.